

KLARO Septic System

KLARO
Advanced SBR-Technology

Septic Sewerage System with Baffle

Designed in Germany - assembled in Australia

KLARO SEPTIC SYSTEMS from GRAF

- | **Quality tested:** Graf CARAT underground tanks are TÜV safety-tested and ISO9001 production
- | **Light weight:** can also be installed in difficult local conditions without a crane.
- | **Tanks approved to Australian Standard AS1546.1**
- | **Reasonable** purchase and installation costs.
- | **Low maintenance:** maintenance or cleaning work can be performed through the dome shafts.
- | **Warranty :** Graf Septic Systems are supported by a 15 year manufacturers warranty



No of Persons * (AS1546.1)	Total	Capacity	Length	Width	Height	Weight
1 to 5	3750L	3750L	2280mm	1755mm	2200mm	175kg
6 to 10	4800L	4800L	2280mm	1985mm	2430mm	220kg
10 to 13	6500L	6500L	2390mm	2190mm	2710mm	265kg



Aquarius Wastewater Management

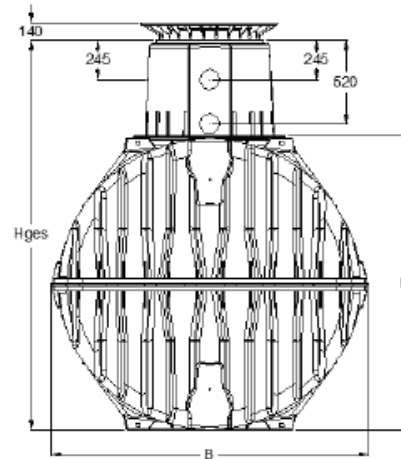
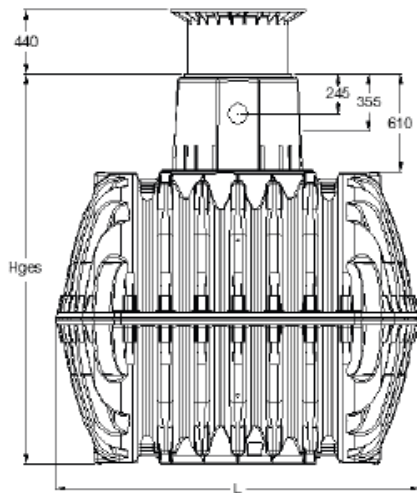
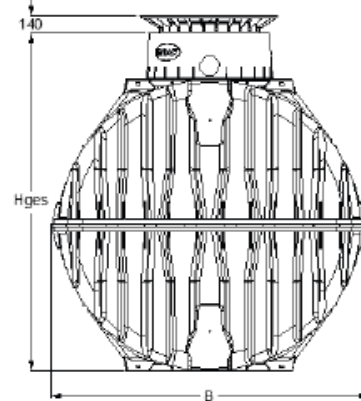
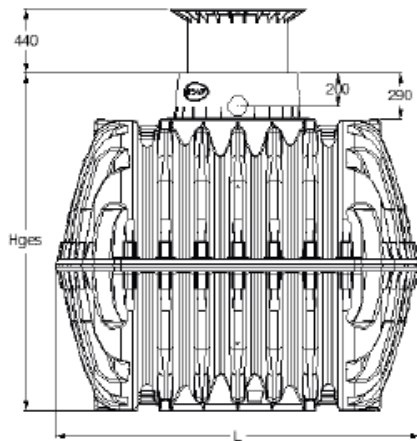
Call us on

Unit 1 / 20 Abrams Street
BALCATTWA WA 6021

08 9240 8545

admin@aquariuswastewater.com.au
www.aquariuswastewater.com.au

KLARO Septic System - Specs



TANKS	2700 litres	3500 litres	4000 litres	6500 litres
Weight	120 kg	175 kg	220 kg	265 kg
L	2080 mm	2280 mm	2280 mm	2390 mm
W	1565 mm	1755 mm	1985 mm	2190 mm
H	1400 mm	1590 mm	1820 mm	2100 mm
Hges	2010 mm	2200 mm	2430 mm	2710 mm
Hges with mini tank dome	1680 mm	1870 mm	2100 mm	2380 mm

Your Local Certified Agent

